

MT600

Underspeed Motion Monitor and Control

Monitor Your Equipment, Anytime, Anywhere.

The MT600 Motion Controller is a compact and full-featured underspeed motion monitor and control system for your material handling equipment.

This early warning and control system provides superior dual-setpoint protection for bucket elevators, conveyors, mechanical drives and all rotating equipment.

MT600 in action

Digital display shows percentage of full speed.

Dual setpoint 10% and 20% slowdown alarms with separate relays for interlocking and horn control.

One step push-button calibration.

EZMount and CSA certified EZMount21 optional sensors with magnetic mount for quick installation.

Advanced motor start-up protection sequence.

Flip-top transparent door and separate wiring compartment with integral knock-outs.



MT600 Controller



EZMount21 Sensor

- 10% and 20% TRIP indicators and relays
- SENSOR indicator flashes as shaft rotates
- No high voltage present at the rotating shaft
- Use any PNP (N/O) sensor such as the EZMount or CSA approved Class II Div 1 EZMount21 sensors
- Compatible with MaxiTrack™ remote software
- Modbus ASCII (RS-485) for PLC connectivity
- Integrated run-time hour meter
- Quick push-button testing for alarm and interlock verification

MAXI-TRONIC
INCORPORATED

417 Wards Corner Rd., Loveland, OH, 45140

513-398-2500

800-659-8250

www.maxitronic.com

info@maxitronic.com

1/27/2016

MT600

Underspeed Motion Monitor and Control

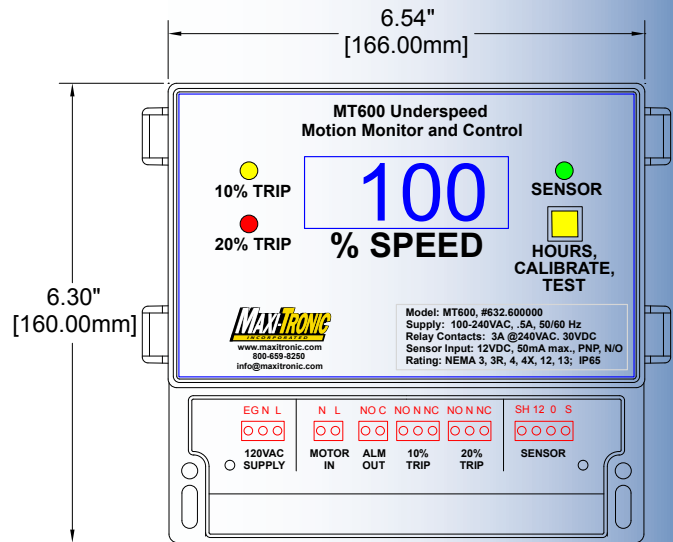
MT600 Controllers are available in convenient installation kits.

Kits include an MT600 Controller and sensor with 50' of cable.

- **MT621 Kit** (#932.600221): MT600 Controller and EZMount21 CSA certified Class II Div 1 Sensor
- **MT602 Kit** (#932.600202): MT600 Controller and EZMount Sensor
- Outdoor 100dB adjustable horn, optional (#930.009018)

MT600 Controller Specifications:

MT600: #932.600000
 Supply: 120VAC supply, .5A
 Materials: Polycarbonate enclosure, transparent door
 Rating: NEMA 1, 3, 3R, 4, 4X, 12, 13; IP65
 Relays: Dual: 10% and 20% slowdown
 Separate 10% alarm contacts for horn
 Contact Ratings: 3A at 240VAC and 30VDC
 Sensor Input: Any industry standard N/O, PNP sensor
 Wiring: Rugged plug-in screw terminals simplify wiring
 Wiring compartment has integrated knock-outs
 Dimensions: 6-1/4 "H x 6-1/2"W x 4-1/4"D

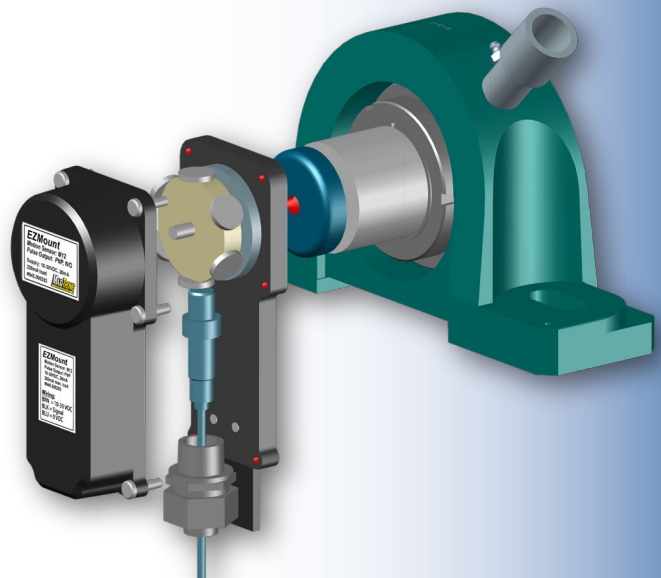


MT600 Controller

EZMount Sensor Specifications:

EZMount: #945.000202
 Supply: 10-30 VDC supply, 200ma max.
 Sensor Element: UL 508 Recognized Component
 Output: N.O., PNP (Sinking)
 Max. load: 10-30 VDC, 200mA
 Type: Induction, .25" detection distance
 Materials: Stainless steel shaft and bearings
 Polycarbonate cover
 Bearings: Sealed stainless steel
 Wiring: 6 feet, 22 AWG, CM rating
 Targets: 6 press-in SS targets, easily removable
 Threads: Integrated 1/2" NPT Conduit fitting
 1/2"-13 threads on shaft
 Magnetic Mount: 2-1/2" Dia x 3/4"D, optional
 Dimensions: 6-3/4"H x 2-1/2"W x 1-3/4"D

See the "EZMount21" for the CSA certified Class II Div. 1 sensor.



EZMount Sensor

MAXI-TRONIC
 INCORPORATED

417 Wards Corner Rd., Loveland, OH, 45140

513-398-2500

800-659-8250

www.maxitronic.com

info@maxitronic.com