

# EZMount 21 - Spec Sheet

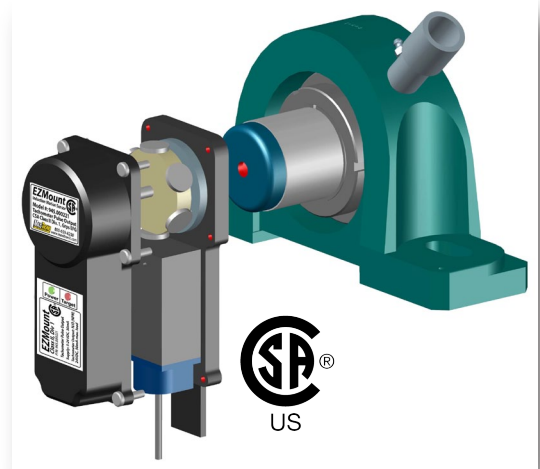
## Class II Div 1 Shaft Mount Motion Sensor

Maxi-Tronic EZMount 21 motion sensor for under-speed detection hazard monitoring systems and general speed monitoring.

Simplified sensor placement on your bucket elevators, drag conveyors, screw conveyors, and other rotating equipment. Moves with the shaft so alignment is never necessary.

All-in-One design with sensor, housing, magnetic mount, conduit fitting, cable, and retaining strap in a compact unit.

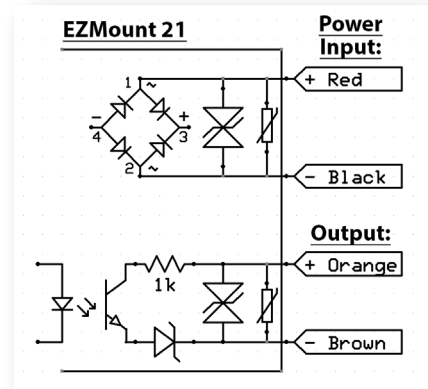
Totally enclosed for increased personal safety and lower maintenance.



### EZMount 21 Sensor Specifications:

- EZMount Assembly with Sensor: #945.000221
- Sensor Module Only: #945.100221
- Sensor Rating\*: CSA Certified Class II, Div 1 Groups E, F, G
- Type: Induction. .375" detection distance
- Materials: Stainless steel shaft and bearings  
Rynite (PET) sensor enclosure  
Polycarbonate EZMount cover
- Bearing: Sealed stainless steel
- Supply: 5-24VDC supply, 30ma  
Must be fused by installer, 5A max.
- Output\*: Industry Standard N.O. NPN (Sinking)  
Load: 24VDC, 50mA max.
- Wiring: 6-feet, 22 AWG  
Use 22AWG minimum AWG for installation
- Targets: 6 press-in SS targets, easily removable
- Threads: 1/2"-13 threads on shaft  
5/8" wrench flats  
1/2" NPT Conduit fitting
- Dimensions: 6 3/4"H x 2 1/2"W x 1 3/4"D
- Magnetic Mount: 2 1/2" Dia x .75"D

\* Many other non-certified output options are available:  
Various AC and DC supply voltages with N.O. or N.C. outputs.



### Wiring to Maxi-Tronic controllers:

<u>EZMount 21 to MT400:</u>	<u>EZMount 21 to MaxiScan 12M:</u>
RED (+12V) = WHITE	RED (+12V) = "12"
BLK (0V) = GREEN	BLK (0V) = "0"
ORN (-OUT) = RED	ORN (-OUT) = "S"
BRN (+OUT) = BLACK	BRN (+OUT) = "12"

EZMount 21  
Sensor Dimensions

