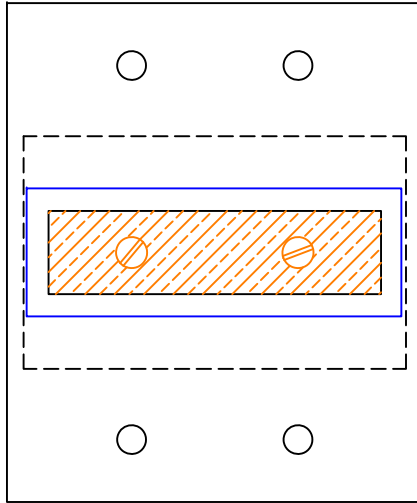
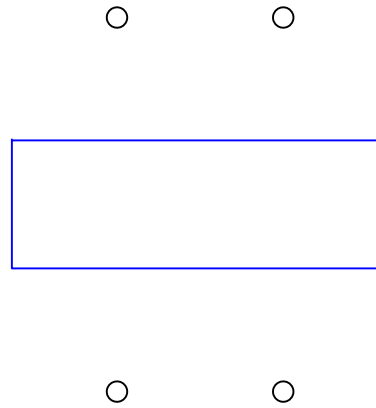


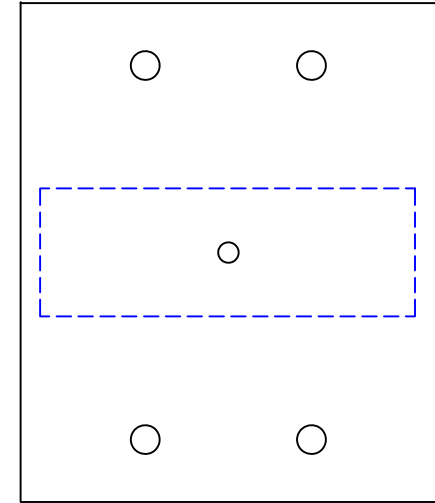
1) Existing
Rectangular
Rub Block



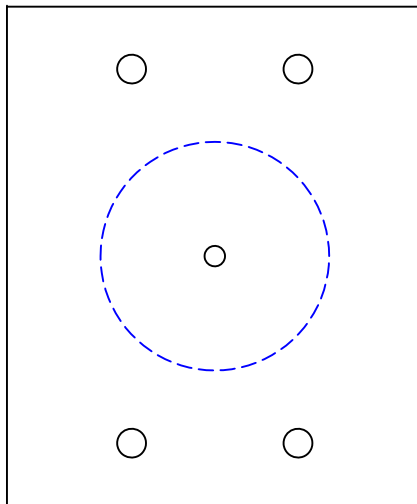
2) Remove
Existing
Rub Block



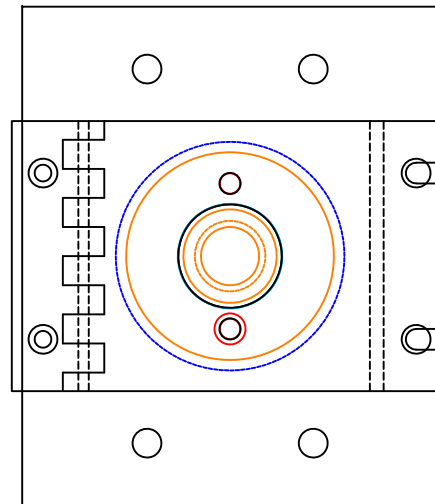
3) Cover Existing Hole With
5" x 6" Cover Plate Using
Supplied Rivets



4) Drill a 2-3/4" Hole for New
RB21 Sensor



5) Mount New RB21 Sensor
with supplied hardware



MAXI-TRONIC, INC. LOVELAND, OHIO 45140 info@safegrain.com 513-398-2500			
PRODUCT: RB21 Rub Block Sensor Round, Hinged			
DWG TITLE: 5"x6" RETROFIT PLATE INSTRUCTIONS			
PART NO.: 948.000200		DWG NO.: A-16-RB21-56RPI	
MATERIAL: AL	DWG REV: 1	DRAWN BY: JTL	DATE: 7-20-2017