

HB21



Adjustable Bearing Temperature Sensor Installation Guide

417 Wards Corner Rd., Loveland, OH, 45140

513-398-2500

800-659-8250

5/6/2020

CAUTION: All wiring must be in accordance with wiring methods of the National Electrical Code and with the authority having jurisdiction. Periodic inspection and testing should be performed at least annually. Installation and inspections are to be performed by qualified persons.

“HB21” Hot Bearing CSA Certified sensors offer several sensor types, adjustability and rugged design to provide the best bearing temperature sensor available.



Maxi-Tronic HB21 Sensors are available with these sensor element types:

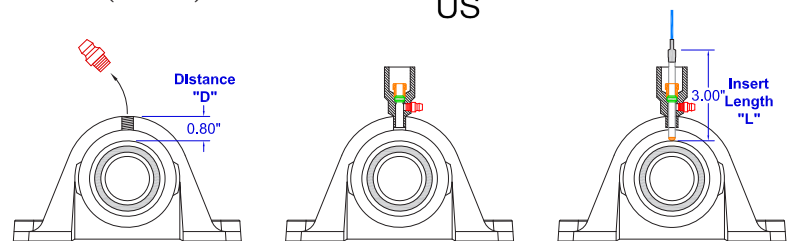
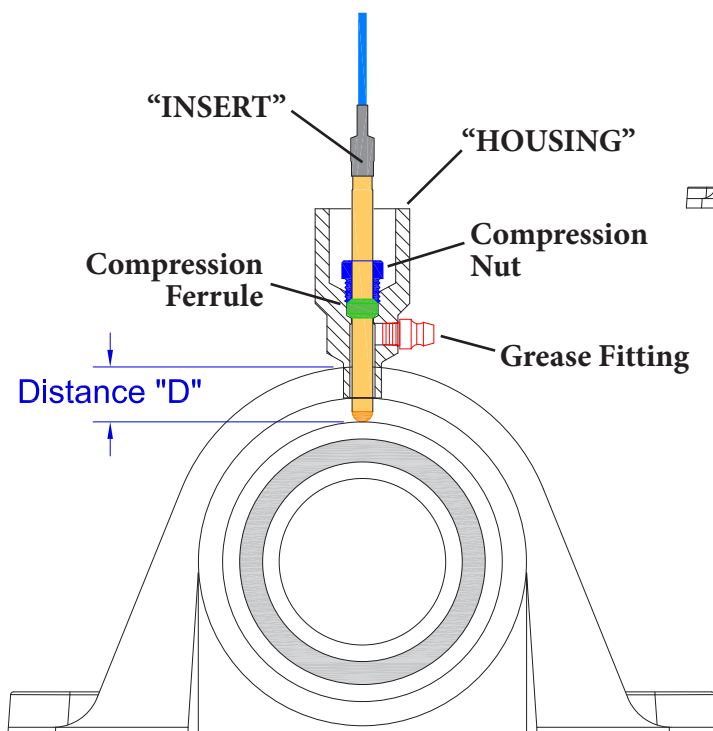
- **Thermocouple:** 24 AWG, Type T (other Types available) with high-temperature PFA insulation.
- **PTC Thermistor:** 100Ohms at 77°F (25°C). 2 Conductor 26 AWG cable with high-temp PFA insulation.
- **RTD:** PT100 RTD with 4-conductor (2, 3 and 4-wire compatible) 26 AWG stranded cable with high-temperature PFA insulation is standard.
- **Digital:** 1-Wire© Digital sensor. Supply: 5VDC, 2ma. 3 conductor 26 AWG with high-temp CMG/PLTC cable. Supplied with 6' of cable. Other cable types, wire gauge, insulation and integrated armor shielding are available.

Specifications:

- “HOUSING” Threads: 1/8” NPT (P/N: HB-21.HOUSING.18) or 1/4” NPT (P/N: HB-21.HOUSING.14).
- “INSERT” Lengths: 3” Len. (“D”=.25”-1.5”), 4.5” Len. (“D”=1”-3”) and 6” Len. (“D”=2.5”-4.5”). Others available.
- Conduit Entry: 1/2” NPT integrated conduit fitting.
- 5/8” Wrench flats for installation.
- Hazardous Location: CSA Certified Class II, Division 1, Groups E, F, G.
Maximum Continuous Operating Temperature: 221°F (105°C).



CSA CERTIFIED
CLASS II, DIV. 1
GROUPS E, F, G



Installation:

1. Remove existing grease fitting.
2. Screw the appropriate “HOUSING” (1/8” or 1/4” NPT threads) into the grease fitting hole.
3. Slide the “INSERT” into the HOUSING. You may have to slightly loosen the Compression Nut for the INSERT to fit.
4. Push in the INSERT until it lightly touches the outer race of the bearing.
5. Use the “HB21 Screwdriver Tool” to tighten the Compression Nut. Tighten it 1/4 turn after it first starts to grab the INSERT, do not over-torque.
6. Attach 1/2” liquid-tight flexible conduit to HOUSING.