

EZ521 Controller

Shaft Mount Underspeed Detection

Monitor Your Equipment, Anytime, Anywhere

The Maxi-Tronic EZ521™ Controller provides underspeed detection for your bucket elevators, drag conveyors, screw conveyors, and other rotating equipment.

This all-in-one unit has dual-setpoint 10% and 20% slowdown relay outputs, status and alarm indicators, target indicator, and tachometer or RS-485 data output.

EZ521 in action

Easy to install magnetically mounts or threads on to the end of the rotating shaft. Quick one-step calibration.

All-in-One design with sensor, controller, housing, conduit fitting, 6' cable, and retaining strap in one compact unit.

Outputs include 10% and 20% relay outputs and either tachometer or MaxiTrack/Modbus RS485 data output.

Supported by Maxi-Tronic world-class installation, service, and technical support.



Class II, Div.1
Groups E, F, G

- CSA certified Class II, Div. 1 Groups E, F, G
- Universal supply voltage range
- Replaceable control module
- Easy setup and calibration
- Quick testing for alarm and interlock verification
- All-in-one enclosed, compact, and safe design
- Advanced motor start-up protection
- MaxiTrack PC software compatible
- RS485 Data/Modbus and Tachometer output models

MAXI-TRONIC

INCORPORATED

417 Wards Corner Rd., Loveland, OH, 45140

513-398-2500

800-659-8250

www.maxitronic.com

info@maxitronic.com

12/1/2016

EZ521 Controller

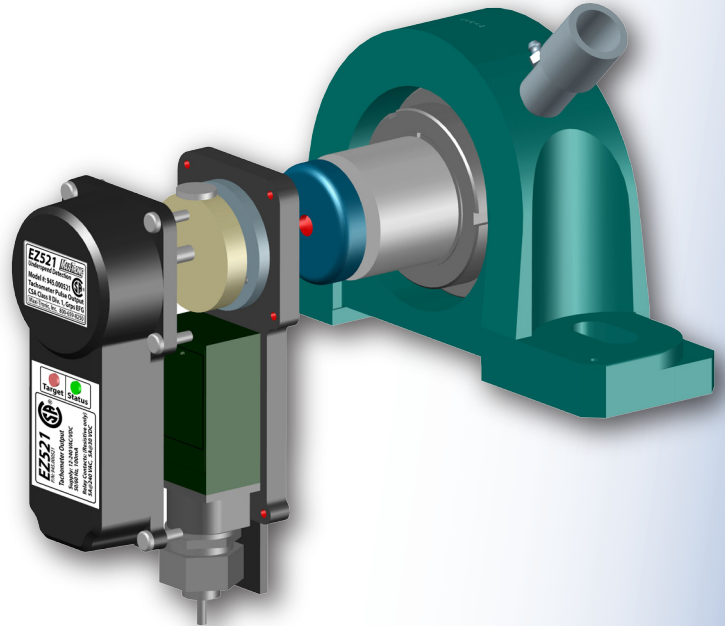
Shaft-Mount Underspeed Detection

Maxi-Tronic EZ521™ Motion Controller

Maxi-Tronic Motion Controllers have been the industry standard since inventing the dual set-point under-speed motion controller (patent #4282967) in 1981.

The EZ521 has the most advanced features in the industry:

- 10% and 20% Slowdown Relays.
- Advanced start-up protection monitors for non-start, slowdown while starting, and maximum time-to-start conditions.
- Variable start-up delay and 30 second maximum timeout.
- Easy one-step calibration and alarm/interlock testing.
- Status LED and Target LED rotation indicator.
- Tachometer pulse output option (NPN Sinking).
- Modbus ASCII and Serial (MaxiTrack PC software compatible) data output for PLC and PC interfacing.
- 12V-240V AC/DC universal power supply options.
- EZMount magnet or threaded shaft mounting options.



EZ521 SPECIFICATIONS:

Tachometer model: #817.000521

Supply Voltage: 12V-240V AC/DC, 50/60Hz, 5VA

Data model: #817-000522

Supply Voltage: 12V-24V DC, 100mA

Wiring: 6-foot, 8 conductor, 20 AWG

Relays: (2) N/O, rated 5A at 240VAC (resistive)

Speed Range: 8-3600 PPM (pulse per minute)

Tachometer Out: 24VDC, 50mA max (NPN) load max

Data: Out: RS-485, 9600 BAUD: Serial data (for MaxiTrack) and Modbus ASCII (for PLC)

Threads: 1/2"-13 threads on shaft

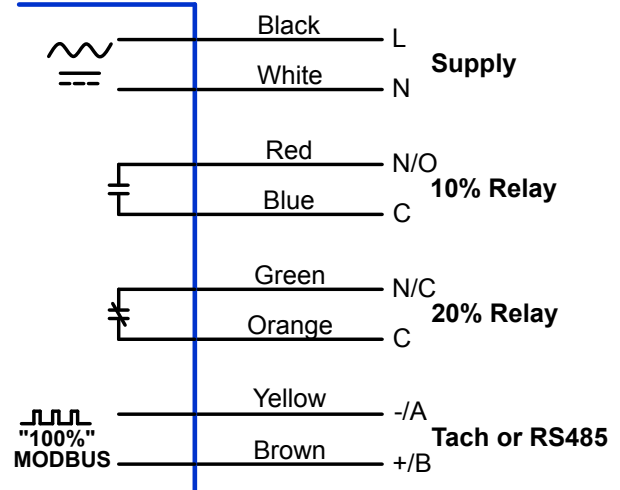
5/8" wrench flats

1/2" NPT Conduit fitting

Dimensions: 6 3/4"H x 2 1/2"W x 1 3/4"D

Magnetic Mount: 2-1/2" Dia x 3/4"H

EZ521 Wiring



EZ521 start-up protection begins when power is applied or when motion is detected.

Relay states shown above are with power applied and equipment running under "normal" conditions.

MAXI-TRONIC

INCORPORATED

417 Wards Corner Rd., Loveland, OH, 45140

513-398-2500

800-659-8250

www.maxitronic.com

info@maxitronic.com